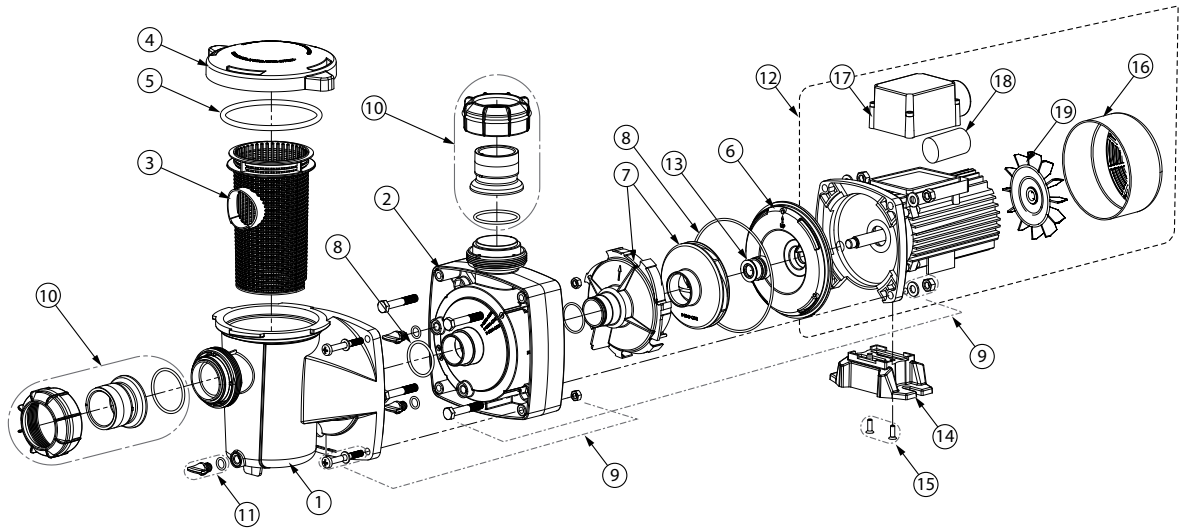


FREEFLO®



FREEFLO[®]

Replacement Parts

No.	Part No.	Description	Part No. Includes*
1	R0001	Strainer Pot - Unions 50mm metric	1
2	R0004	Pump Housing - Unions 50mm metric	1
3	R0007	Strainer Basket	1
4	R0008	Stainer Pot Lid	1
5	R0009	O-ring	1
6	R0010	Seal Plate	1
7	R0011	Kit Impeller-Diffuser 0,25KW	1
	R0012	Kit Impeller-Diffuser 0,37KW	1
	R0013	Kit Impeller-Diffuser 0,55KW	1
	R0014	Kit Impeller-Diffuser 0,75KW	1
	R0015	Kit Impeller-Diffuser 1,10KW	1
8	R0016	O-Ring Sealing Kit	3
9	R0017	Bolt Hardware Kit	Kit
10	R0018	Union Kit - 50mm	1
	R0019	Union Kit - 1-1/2"	1
11	R0020	Drain Plug and O-ring	1
12	R0021	Motor - Mono Phase 0,25 & 0,37kW	1
	R0022	Motor - Mono Phase 0,55kW	1
	R0023	Motor - Mono Phase 0,75kW	1
	R0024	Motor - Mono Phase 1,10kW	1
13	R0025	Mechanical Seal	1
14	R0026	Motor Base	1
15	R0027	Screw kit for Motor Base	2
16	R0036	Fancover < 375W	1
	R0037	Fancover > 375W	1
17	R0038	Capacitor box & screws	1
18	R0039	Capacitor 250w & 375W - 12µF	1
	R0040	Capacitor 550W - 20µF	1
	R0041	Capacitor 750W - 20µF	1
	R0042	Capacitor 1100W - 25µF	1
19	R0043	Motor Fan	1

* PART NUMBER INCLUDES REQUIRED QUANTITY PER PRODUCT